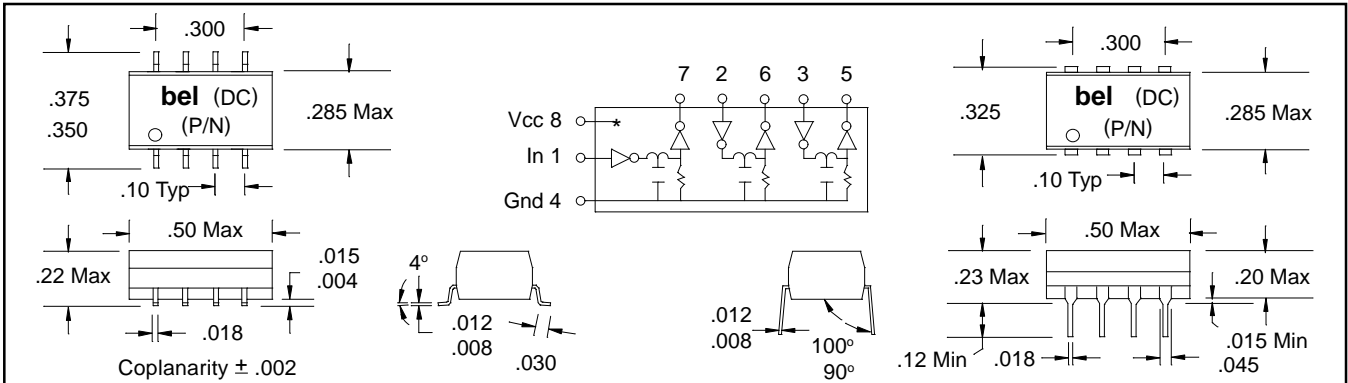


TRIPLE LINE LEADING EDGE CONTROL LOW VOLTAGE DELAY MODULES

Cat 37-R0



Part Numbers

SMD	Thru-Hole	Time Delay	Tolerance	Rise Time
S473-0005-A3	A473-0005-A3	5 ns	± 1.0 ns	3 ns
S473-0007-A3	A473-0007-A3	7 ns	± 1.0 ns	3 ns
S473-0010-A3	A473-0010-A3	10 ns	± 1.5 ns	3 ns
S473-0012-A3	A473-0012-A3	12 ns	± 1.5 ns	3 ns
S473-0015-A3	A473-0015-A3	15 ns	± 1.5 ns	3 ns
S473-0017-A3	A473-0017-A3	17 ns	± 1.5 ns	3 ns
S473-0020-A3	A473-0020-A3	20 ns	± 1.5 ns	3 ns
S473-0025-A3	A473-0025-A3	25 ns	± 1.5 ns	3 ns
S473-0030-A3	A473-0030-A3	30 ns	± 2.0 ns	3 ns
S473-0035-A3	A473-0035-A3	35 ns	± 2.0 ns	3 ns
S473-0040-A3	A473-0040-A3	40 ns	± 2.0 ns	4 ns
S473-0045-A3	A473-0045-A3	45 ns	± 2.0 ns	4 ns
S473-0050-A3	A473-0050-A3	50 ns	± 2.5 ns	4 ns

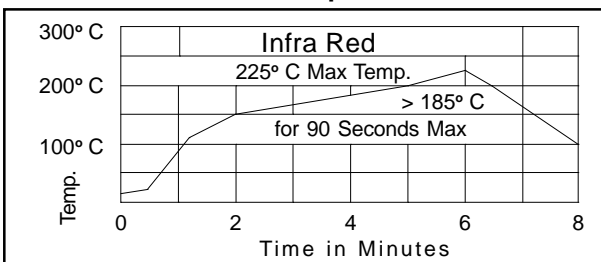
Tolerances

Input to Output ± 5% , Unless otherwise specified
Delays measured @ 1.5 V levels on Leading Edge only
with 15pf loads on Outputs
Rise and Fall Times measured from 0.75 V to 2.4 V levels

Drive Capabilities

Nh	Logic 1 Fanout	-	10 LSTTL Loads Max.
Nl	Logic 0 Fanout	-	10 LSTTL Loads Max.

Recommended Temperature Profile



Test Conditions @ 25°C

Ein	Pulse Voltage	3.0 Volts
Trin	Rise Time	3.0 ns (10%-90%)
PW	Pulse Width	1.2 x Total Delay
PP	Pulse Period	4 x Pulse Width
Iccl	Supply Current	35 ma Typical
Vcc	Supply Voltage	3.3 Volts

Electrical Characteristics

	Min.	Max.	Units	
Vcc	Supply Voltage	3.0	3.6	V
Vih	Logic 1 Input Voltage	2.4		V
Vil	Logic 0 Input Voltage		0.8	V
Iik	Input Clamp Current		-20	ma
Ioh	Logic 1 Output Current		20	ma
Iol	Logic 0 Output Current		-20	ma
Voh	Logic 1 Output Voltage	2.9		V
Vol	Logic 0 Output voltage		0.1	V
Vik	Input Clamp Voltage		-0.5	V
Iih	Logic 1 Input Current		1	ua
Iil	Logic 0 Input Current		-1	ua
Icch	Logic 1 Supply Current		10	ma
Iccl	Logic 0 Supply Current		40	ma
Ta	Operating Free Air Temperature	0°	70°	C
PW	Min. Input Pulse Width of Total Delay	100		%
d	Maximum Duty Cycle		50	%
Tc	Temp. Coeff. of Total Delay (TD)	100 + (25000/TD)		PPM/°C

Notes

Transfer molded for better reliability
Compatible with TTL & DTL circuits
Terminals: Electro-Tin plate phosphor bronze
Performance warranty is limited to specified parameters listed
SMD - Tape & Reel available:
24mm Wide x 12mm Pitch, 750 pieces per 13" reel

Other Delays and Tolerances Available Consult Sales

Specifications subject to change without notice.

Corporate Office

Bel Fuse Inc.
198 Van Vorst Street, Jersey City, NJ 07302-4496
Tel: 201-432-0463
Fax: 201-432-9542
E-Mail: BelFuse@belfuse.com
Internet: <http://www.belfuse.com>

Far East Office

Bel Fuse Ltd.
8F/8 Luk Hop Street
San Po Kong
Kowloon, Hong Kong
Tel: 852-2328-5515
Fax: 852-2352-3706

European Office

Bel Fuse Europe Ltd.
Preston Technology Management Centre
Marsh Lane, Preston PR1 8UD
Lancashire, U.K.
Tel: 44-1772-556601
Fax: 44-1772-888366